



the right choice

interior doors elements

PRODUKT KATALOG 2022



■ DOOR HANDLE

■ DOOR LOCK

■ DOOR HINGES

■ CYLINDER

■ SLIDING SYSTEM

Türdrücker-Garnitur



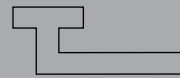
ALBA



ALBA2

Handle length	130 mm
Rosette-Ø	52 mm
Color	Stainlesssteel Mat
Material:	INOX304
BB Code:	I304.DH.ALBA2.BB
PZ Code:	I304.DH.ALBA2.PZ
WC Code:	I304.DH.ALBA2.WC

Technical drawing



BB



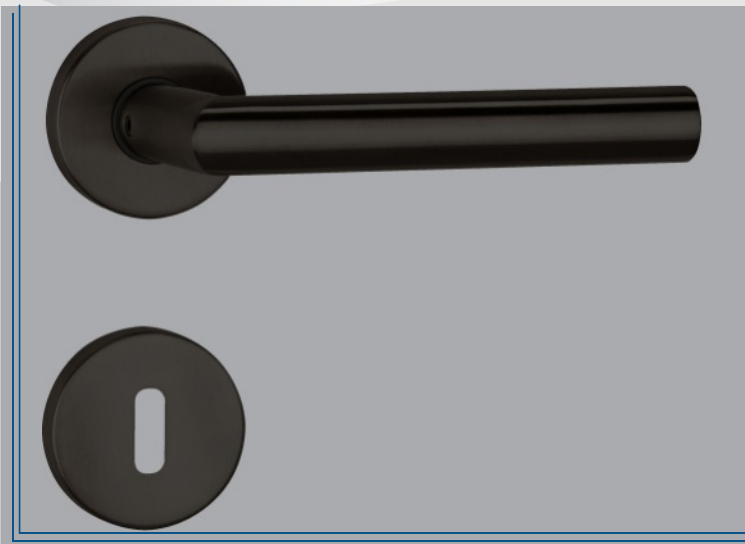
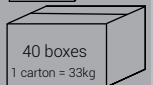
PZ



WC



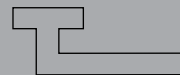
Box = 2*



ALBA2B

Handle length	130 mm
Rosette-Ø	52 mm
Color	Stainlesssteel Mat
Material:	INOX304
BB Code:	I304.DH.ALBA2B.BB
PZ Code:	I304.DH.ALBA2B.PZ
WC Code:	I304.DH.ALBA2.WC

Technical drawing



BB



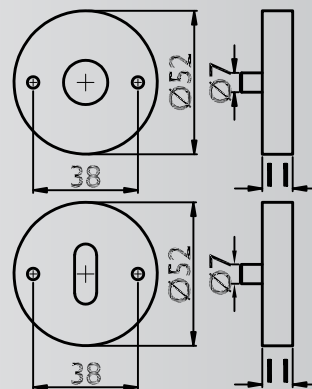
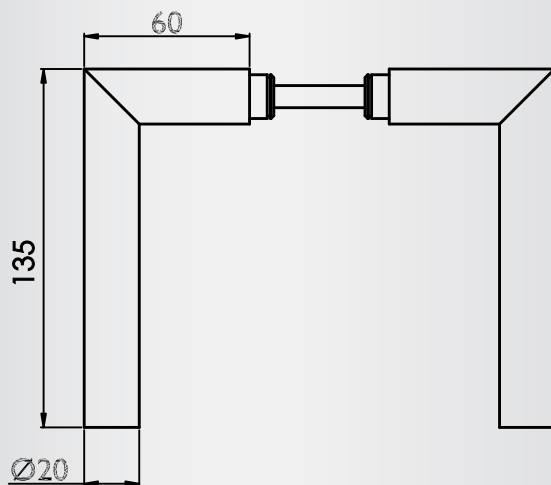
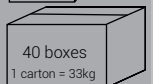
PZ



WC



Box = 2*



ALBA



ALBA4

Handle length	135 mm
Rosette-Ø	52 mm
Color	Stainlesssteel Mat
Material:	INOX304/
BB Code:	I304.DH.ALBA4.BB
PZ Code:	I304.DH.ALBA4.PZ
WC Code:	I304.DH.ALBA4.WC

Technical drawing



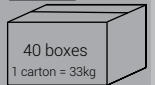
BB



PZ



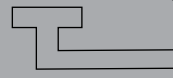
WC



ALBA6

Handle length	135 mm
Rosette-Ø	52 mm
Color	Stainlesssteel Mat
Material:	INOX304/
BB Code:	I304.DH.ALBA4.BB
PZ Code:	I304.DH.ALBA4.PZ
WC Code:	I304.DH.ALBA4.WC

Technical drawing



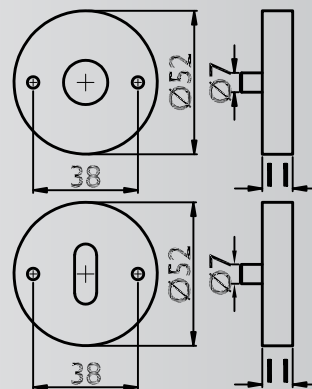
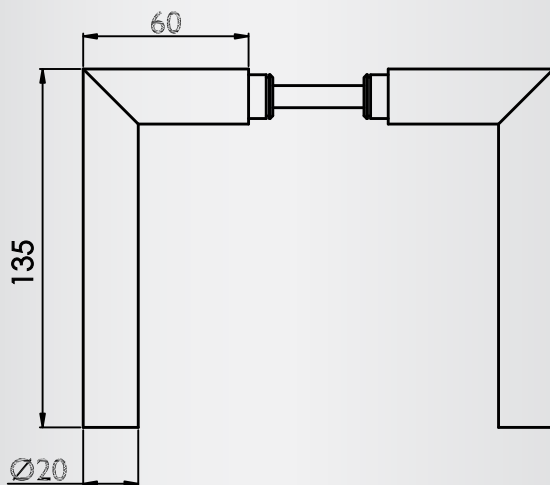
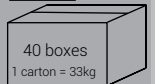
BB



PZ



WC



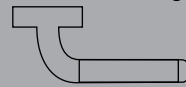
BELLA



BELLA

Handle length	135 mm
Rosette-Ø	52 mm
Color	Stainlesssteel Mat
Material:	INOX304/
BB Code:	I304.DH.BELLA.BB
PZ Code:	I304.DH.BELLA.PZ
WC Code:	I304.DH.BELLA.WC

Technical drawing



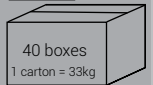
BB



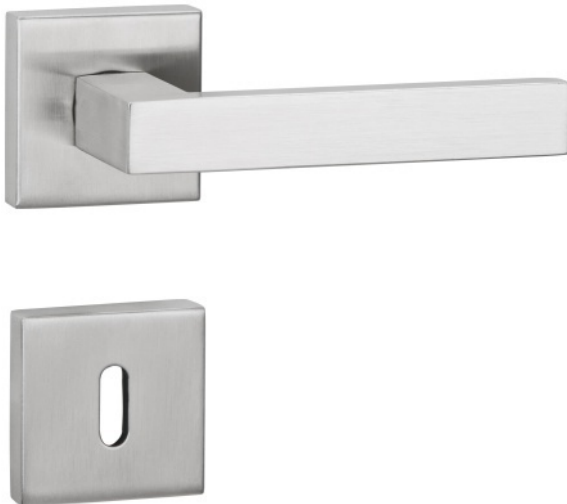
PZ



WC

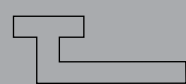


TOKIO



Handle length	130 mm
Rosette-Ø	52 mm
Color	Stainlesssteel Mat
Material:	INOX304
BB Code:	I304.DH.ALBA2.BB
PZ Code:	I304.DH.ALBA2.PZ
WC Code:	I304.DH.ALBA2.WC

Technical drawing



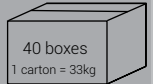
BB



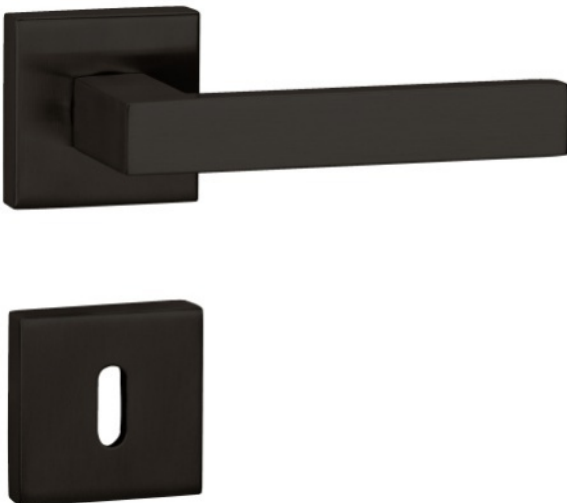
PZ



WC

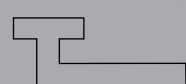


TOKIOB



Handle length	130 mm
Rosette-Ø	52 mm
Color	Stainlesssteel Mat
Material:	INOX304
BB Code:	I304.DH.ALBA2.BB
PZ Code:	I304.DH.ALBA2.PZ
WC Code:	I304.DH.ALBA2.WC

Technical drawing



BB



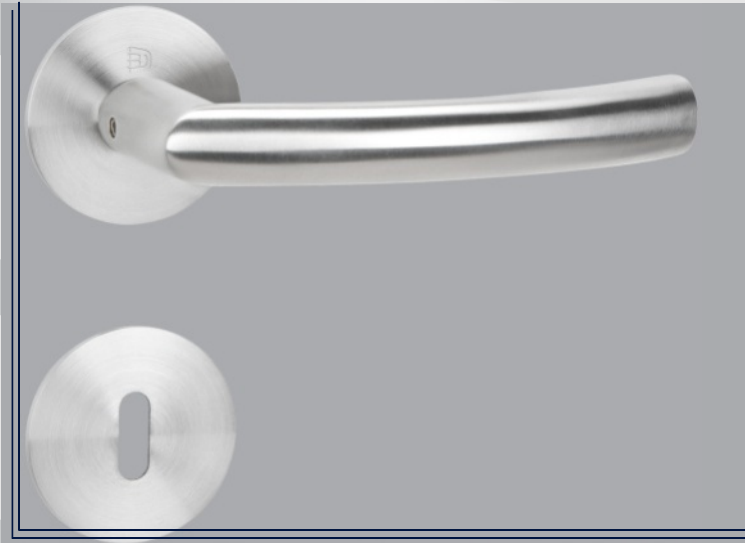
PZ



WC

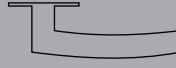



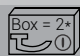
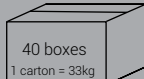


LURA



LURA-FLAT4

Handle length	135 mm
Rosette- \varnothing	52 mm
Color	Stainlesssteel Mat
Material:	INOX304
BB Code:	I304.DH.RO(SQ)1.FL.BB
PZ Code:	I304.DH.RO(SQ)1.FL.PZ
WC Code:	I304.DH.RO(SQ)1.FL.WC

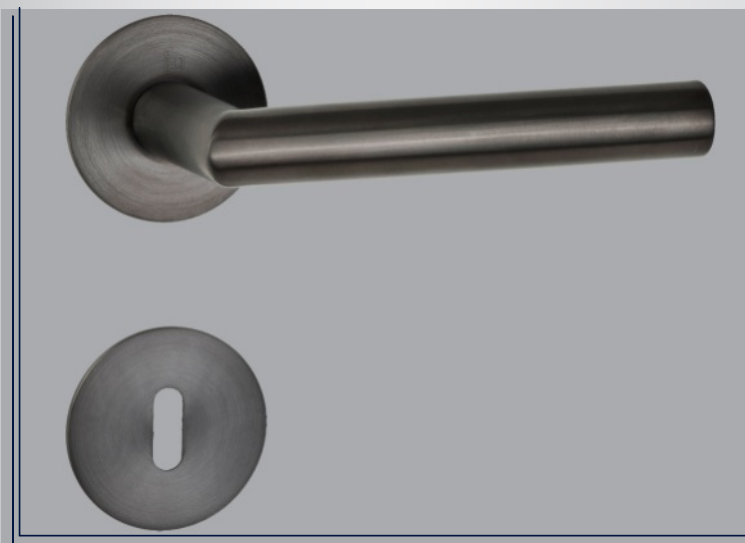
Technical drawing  BB  PZ  WC   Box = 2*  40 boxes
1 carton = 33kg



LURA-FLAT2

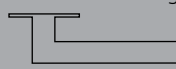



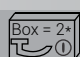
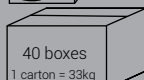
Handle length	135 mm
Rosette- \varnothing	52 mm
Color	Stainlesssteel Mat
Material:	INOX304
BB Code:	I304.DH.RO(SQ)6.FL.BB
PZ Code:	I304.DH.RO(SQ)6.FL.PZ
WC Code:	I304.DH.RO(SQ)6.FL.WC

Technical drawing  BB  PZ  WC   Box = 2*  40 boxes
1 carton = 33kg

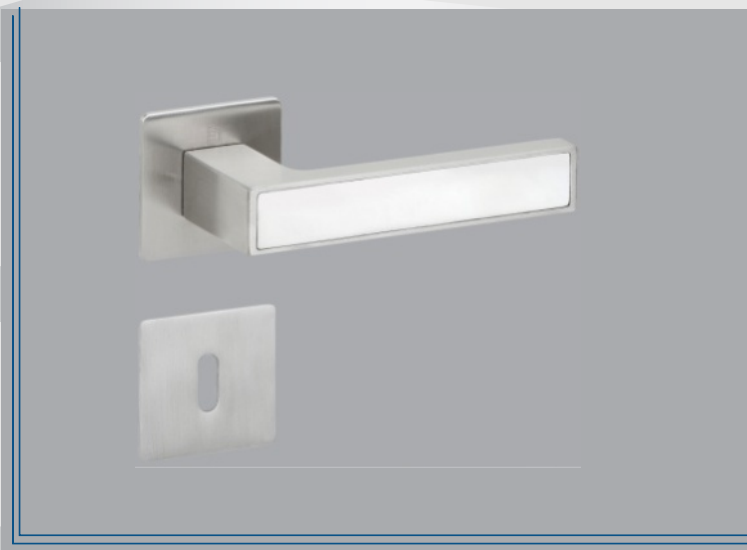


LURA-FLAT2B

Handle length	130 mm
Rosette- \varnothing	52 mm
Color	POWDER BLACK Mat
Material:	INOX304-BLACK
BB Code:	BL.DH.SQ1.FL.BB
PZ Code:	BL.DH.SQ1.FL.PZ
WC Code:	BL.DH.SQ1.FL.WC

Technical drawing  BB  PZ  WC   Box = 2*  40 boxes
1 carton = 33kg





LURA-FLAT5W

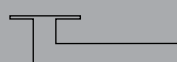
Handle length	135 mm
Rosette- \emptyset	52 mm
Color	INOX 304 (all ral color)
Material:	INOX304-BLACK
BB Code:	I304C.DH.SQ5.FL.BB
PZ Code:	I304C.DH.SQ5.FL.PZ
WC Code:	I304C.DH.SQ5.FL.WC

Technical drawing

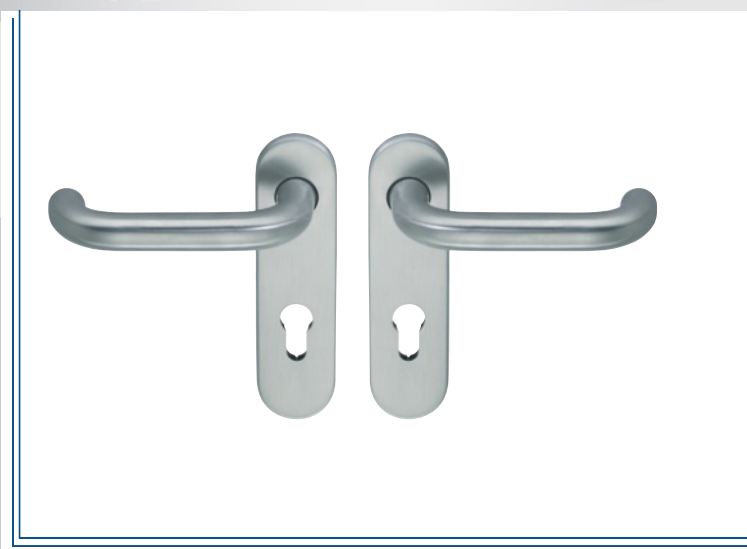
BB

PZ

WC

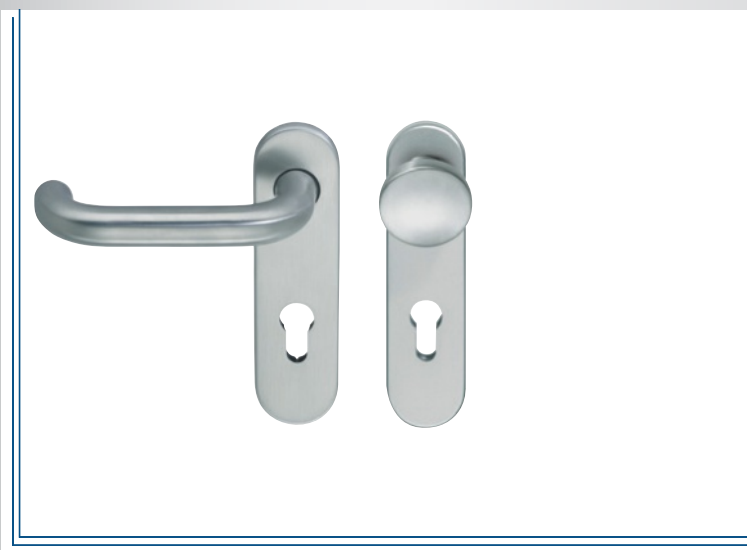


Box = 2*



SEKO I304

Model	SEKO
Color	Stainlesssteel
Material:	Inox 304



SEKO-2 I304

Model	SEKO
Color	Stainlesssteel
Material:	Inox 304





Mose Tueren
Jeld Wen



WDR-001

Model	WDR-001
Color	White, Brown, Silver
Material:	Silicone 100%



BORA GI304

Model	GLASS LOCK - HINGES SET
Color	Stainless steel
Material:	Inox 304 SURFACE



BORA GI304-2L

Model	GLASS LOCK - HINGES SET-2L
Color	Stainless steel
Material:	Inox 304 SURFACE





Kallap U/ U bracket

Model	U Bra
Color	Stainles steel
Code:	CPS-102A



Kallap L / L bracket

Model	L Bra
Color	Stainles steel
Code:	CPS-204



Grep/ Hook

Model	Hook
Color	Stainles steel
Code:	CPS-208A



Spring/ Bagllame

Model	Spring NSC
Color	Stainles steel
Code:	CPS-205-C



Indicator / Treguesi

Model	T-I
Color	Stainles steel
Code:	CPS-106-B



Solid Knob

Model	dia25X30mm
Color	Stainles steel
Code:	CPS-109-A



Support Leg/ kembe

Model	Support Leg
Color	Stainles steel
Code:	CPS-207



Sign Plate

Model	100x100mm
Color	Stainles steel
Code:	SPS-102A



DOOR LOCK





Mose Tueren
Jeld Wen



Door Stoper M4

Dimensions	40x40mm
Color:	Stanles steel
Material:	Stainlesstel and ruber



Frontplate Mod1

Dimensions	72mm
Color	Silver
Material:	Iron



Frontplate Mod2

Dimensions	72mm
Color:	Silver
Material:	Iron

Frontplate Mod2B

Dimensions	72mm
Color:	Black
Material:	Iron





Mose Tueren
Jeld Wen



WDL-S002BB

Dimensions	72*55 mm BB
Color:	Silver
Material:	Iron



WDL-S002WC

Dimensions	72*55 mm WC
Color:	Silver
Material:	Iron



SAAG -PZ

Dimensions	72*55 mm PZ
Color	Silver
Material:	Iron





Mose Tueren
Jeld Wen

5
YEARS
GARANTY

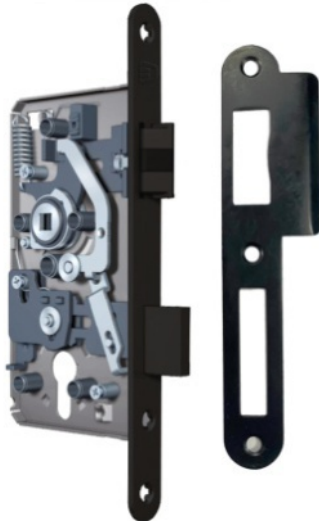


with frontplate

WDL-001PZ

Dimensions	72*55 mm
Color	Silver
Material:	Iron
PZ Code:	WDL.002.7255.PZ

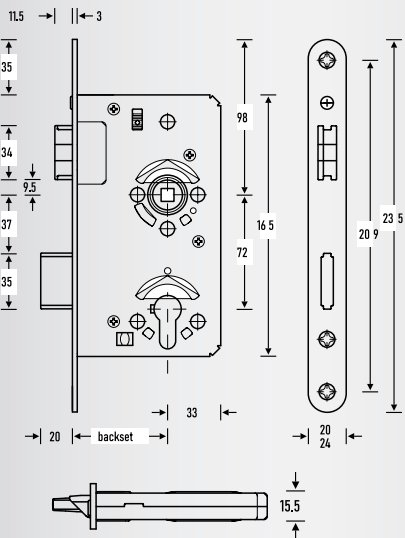
5
YEARS
GARANTY



with frontplate

WDL-001BPZ

Dimensions	72*55 mm
Color	Black
Material:	STAINLESSSTEEL.BLACK
PZ Code:	WDL.001B.7255.PZ
BB Code:	WDL.001B.7255.BB



Mortice lock	ES	Backset	55 mm	55
Series 52	52		60 mm	60
PC 2-throw with latch retraction	PZW		65 mm	65
Bathroom variant	WC		50 mm	50
Flat forend rounded	FR		70 mm	70
Flat forend edged	FK		80 mm	80
Forend width 20 mm	20	Centres	72 mm PC	72
Forend width 24 mm	24		78 mm WC	78
Forend length 235 mm	235		74 mm RC 22 mm	74
Forend length 280 mm*	280	Follower	8 mm □	08
			9 mm □ FH	09
			10 mm □	10
		Handing	latch bolt reversible RH/LH	
		Forend material	Stainless Steel AISI 304	EST
			Bronze**	BZ
			Brass**	MS
			(further materials to order)	





WDL-M002

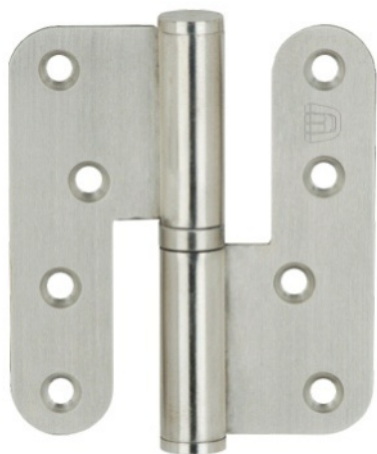
Dimensions	72*55 mm
Color	STAINLESS STEEL
Material:	STAINLESSSTEEL INOX304
PZ Code:	WDL.M002.7255.PZ
BB Code:	WDL.M002.7255.BB



WDL-M001

Dimensions	72*55 mm
Color	STAINLESS STEEL
Material:	STAINLESSSTEEL INOX304
PZ Code:	WDL.M001.7255.PZ
BB Code:	WDL.M001.7255.BB





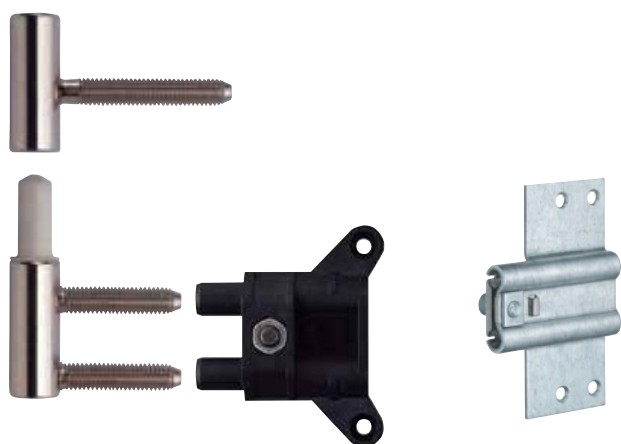
WDH-001

Model	Wings door Hinges
Color	STAINLESSSTEEL
Material:	STAINLESSSTEEL SS304
Right Code:	WDH-001.I304.R
Left Code:	WDH-001.I304.L



WDH-001B

Model	Wings door Hinges
Color	Black
Material:	STAINLESSSTEEL SS304
Right Code:	WDH-001.I304B.R
Left Code:	WDH-001.I304B.L



WDH-EU01

Model	Wooden door Hinges
Color	Silver
Material:	Iron - PVC

WDH-EU02

Model	Wooden door Hinges
Color	Silver
Material:	Iron - Iron





Mose Tueren
Jeld Wen



WDH-EU03

Model	Wooden door Hinges
Color	Silver
Material:	Iron - Iron



WDH-EU04

Model	Wooden door Hinges
Color	Silver
Material:	Iron - Iron



ANSEMLI AN-140 3D -40kg

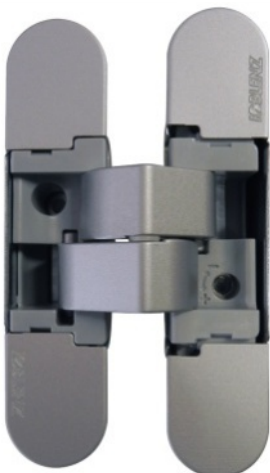
Model	Wooden door Hinges Hidden
Color	Silver

ANSEMLI AN-160 3D -60kg

Model	Wooden door Hinges Hidden
Color	Silver

ANSEMLI AN-180 3D -80kg

Model	Wooden door Hinges Hidden
Color	Silver



KOBLENZ K1019 CS3D -40kg

Model	Wooden door Hinges Hidden
Color	Silver

KOBLENZ K 8080CS 3D -80kg

Model	Wooden door Hinges Hidden
Color	Silver

KOBLENZ K7120CSDXSX140kg

Model	Wooden door Hinges Hidden
Color	Silver





Mose Tueren
Jeld Wen



CYLINDER Guard G2

Model	Guard G2
Color	Nicker
Material	Brass
Dimension	Code
30/35	3035G2.N
30/35K	3035G2.NK
40/45	4045G2.N



CYLINDER Guard G6

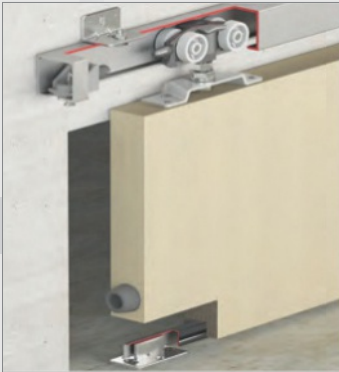
Model	Guard G6
Color	Nickel
Material	Brass
Dimension	Code
30/35	3035G6.N





M20 7380

80 KG AYARLI SÜRGÜLÜ KAPI SİSTEMİ RULMANLI • ADJUSTABLE SLIDING DOOR SYSTEM HAS BALL BEARING



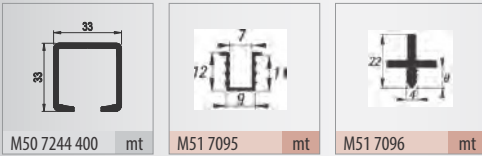
Bilgi / Information

Yavaşlatıcı Alternatifi / ot Closer Alternative

1 M20 7380 1 Takım İçeriği / 1 Set Includes



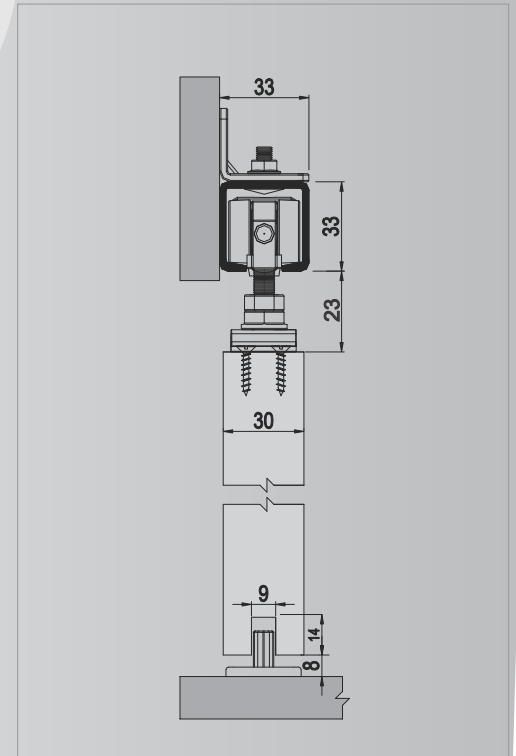
2 Ray Profilleri / Rail Profiles



Uygulama / Application



Teknik Detay / Technical Detail



PDF



VIDEO

Kod / Code No	Açıklama / Description	Renk / Colour	Br. / Unit			Profil m. / Profiles	Profil Bağı / Labs	Cmimi
1 M20 7380	80 Kg Ayarlı Sürgü Kapı Sistemi / Sliding Door System	Gri / Grey	Tk / Set	24	960	-	-	-
2 M50 7244 400	Alüminyum Üst Ray / Aluminium Upper Rail	Pres / Uncoated	mt.	-	-	2,00	-	3,00





M20 9700 SFT

120 KG AYARLI TEK YÖNE YAVAŞLATICILI SÜRGÜ KAPI SİSTEMİ • ADJUSTABLE SLIDING DOOR SYSTEM - HAS SOFT CLOSING



■ Bilgi / Information

- Minimum kapak genişliği 500 mm olmalıdır.
- Min. Door width 500 mm

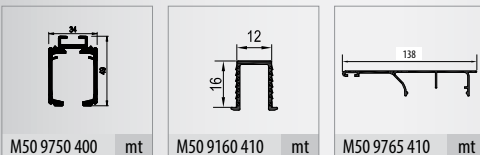
■ Yavaşlatıcı Alternatifi / ot Closer Alternative

- Sistem üzerinde tek yöne yavaşlatıcı mevcuttur.
- The system has one way soft closing.

■ M20 9700 SFT 1 Takım İçeriği / 1 Set Includes



■ Ray Profilleri / Rail Profiles



PDF



VIDEO

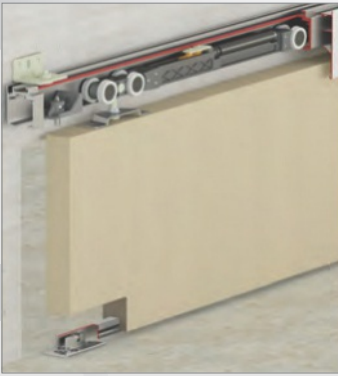
Kod / Code No	Açıklama / Description	Renk / Colour	Br. / Unit			Profil m. / Profiles	Profil Bağı / Laps	Cmimi
1	M20 9700 SFT 120 Kg Ayarlı Sürgü Kapı Sistemi / Sliding Door System	Gri / Grey	Tk / Set	12	360	- - -	-	
2	M50 9750 400 Alüminyum Üst Ray / Aluminium Upper Rail	Pres / Uncoated	mt.	-	-	2,00 - 3,00	2	
3	M50 9765 410 Alüminyum Alın Kapama / Aluminium Cover Front	Eloksal / Mat Anodized	mt.	-	-	2,00 - 3,00	2	



Sliding
System

M20 9720 SFT

120 KG SISTEMI RRESHQITEST ME MBYLLJE SOFT • ADJUSTABLE SLIDING DOOR SYSTEM - HAS SOFT CLOSING



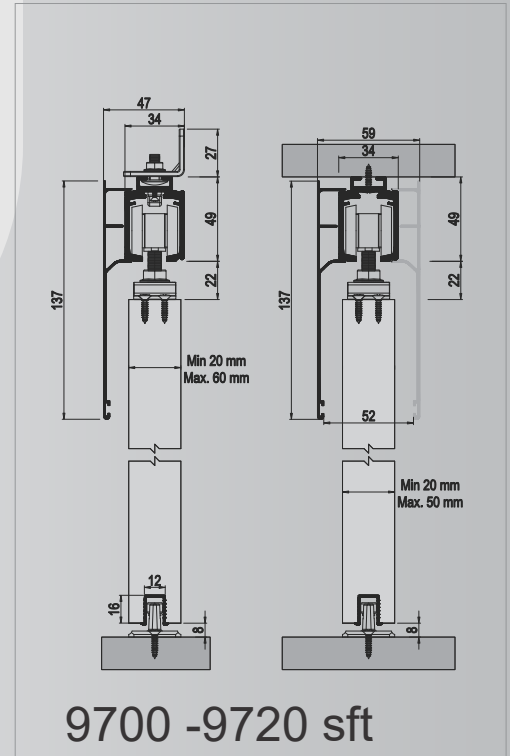
INFORMATAT/ Information

- Minimum gjersia e kapakut te deres 830mm
- Min. Door width 830 mm

Mbyllje soft/ Soft Closer Alternative

- Ky sistem ka mbyllje soft
- The system has two way soft closing.

te dhenat teknike / Technical Detail



1 M20 9720 SFT 1set permban/ 1 Set Includes

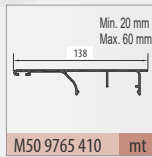


2 Profilit-shina / ail Prrofiles



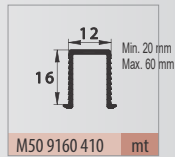
M50 9750 400 mt

3



M50 9765 410 mt

Profil I pos tem/



M50 9160 410 mt

E aplkuar / Application

Min. 20 mm
Max. 60 mmMin. 20 mm
Max. 60 mm

Kod / Code No	Açıklama / Description	Renk / Colour	Br. / Unit			Profil m. / Profiles	Profil Bağı / Lab	Cmimi		
1	M20 9720 SFT	120 Kg Ayarlı Sürgü Kapı Sistemi / Sliding Door System	Gri / Grey	Tk / Set	8	400	-	-	-	-
2	M50 9750 400	Alüminyum Üst Ray / Aluminium Upper Rail	Pres / Uncoated	mt.	-	-	2,0	-	4,0	2
2.1	M50 9750 300	Alüminyum Üst Ray / Aluminium Upper Rail	Pres / Uncoated	mt.	-	-	2,0	-	3,0	2
3	M50 9765 410	Alüminyum Alın Kapama / Aluminium Cover Front	Eloksal / Mat Anodized	mt.	-	-	2,0	-	3,0	2



WEB



PDF



VIDEO





■ Informatati / Information

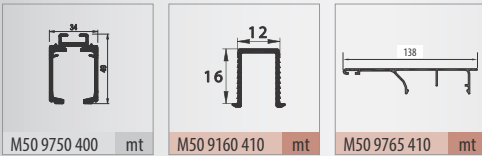
■ MBYLLJA SOFT/ Soft Closer Alternative

1 M21 9800 1 Set / 1 Set Includes



2 Ray Profilleri / Rail Profiles

3

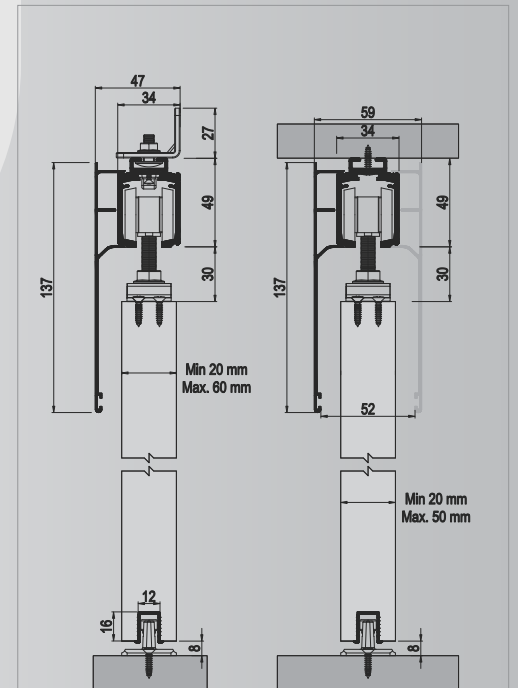


■ E aplikushme/ Application



E PATKAGE/ETLEVIE PATKAGE

■ Detajet teknike / Technical Detail



9800 -9800 sft - 9820 SFT



WEB



PDF

Kod / Code No	Açıklama / Description	Renk / Colour	Br. / Unit			Profil m. / Profiles	Profil Bağı / Lab	Cmimi
1 M21 9801	120 Kg Senkronize Kapı Sistemi / Funicular Door System	Gri / Grey	2 Kapı / 1 Set	12	216	-	-	-
2 M50 9750 400	Alüminyum Üst Ray / Aluminium Upper Rail	Pres / Uncoated	mt.	-	-	3,0	4,0	6,0
3 M50 9765 410	Alüminyum Alın Kapama / Aluminium Cover Front	Eloksal / Mat Anodized	mt.	-	-	3,0	4,0	6,0





M20 9015 SFT

60 KG AY. SISTEM RRESHQITES 2 ANSOR • SLIDING DOOR SYSTEM - TWO WAY SOFT CLOSING



■ Informatat / Information

- Minimumi i kapakuk 650 mm
- Min. Door width 650 mm

■ Mbylles soft / Soft Closer Alternative

- Sistemi posedon mbylles soft
- The system has two way soft closing.

1 M20 9015 SFT 1set / 1 Set Includes



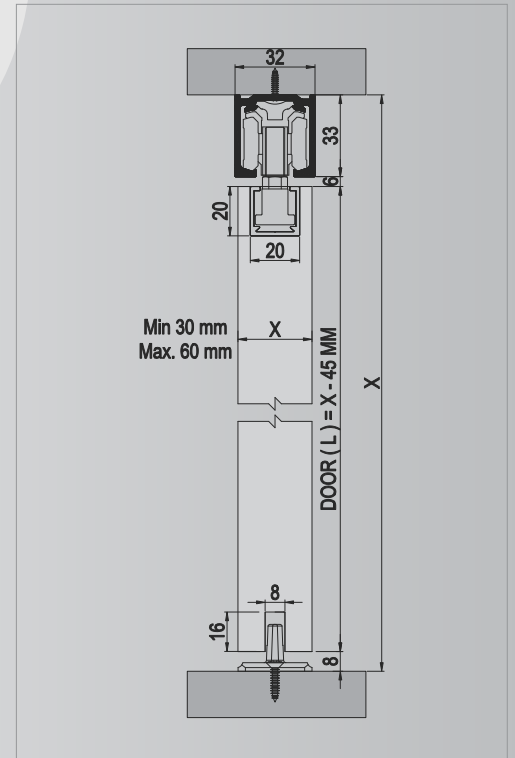
2 Profilt eshqites shinat / Rail Prrrofiles



■ Uygulama / Application



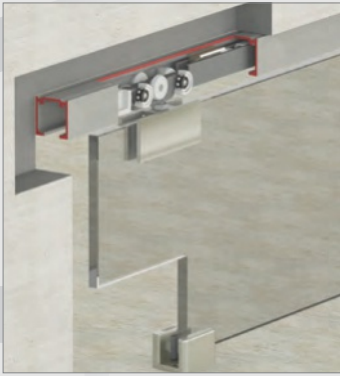
■ Detajet teknike / Technical Detail



PDF

Kod / Code No	Açıklama / Description	Renk / Colour	Br. / Unit			Profil m. / Profiles	Profil Bağı / Lab	Cmimi
1	M20 9015 60 Kg Sistemi reshqites / Sliding Door Has Soft Closing	Gri / Grey	Tk / Set	12	360	-	-	-
2	M50 9775 410 Alüminyum Üst Ray / Aluminium Upper Rail	Eloksal / Mat Anodized	mt.	-	-	2,00	-	3,00
2.1								

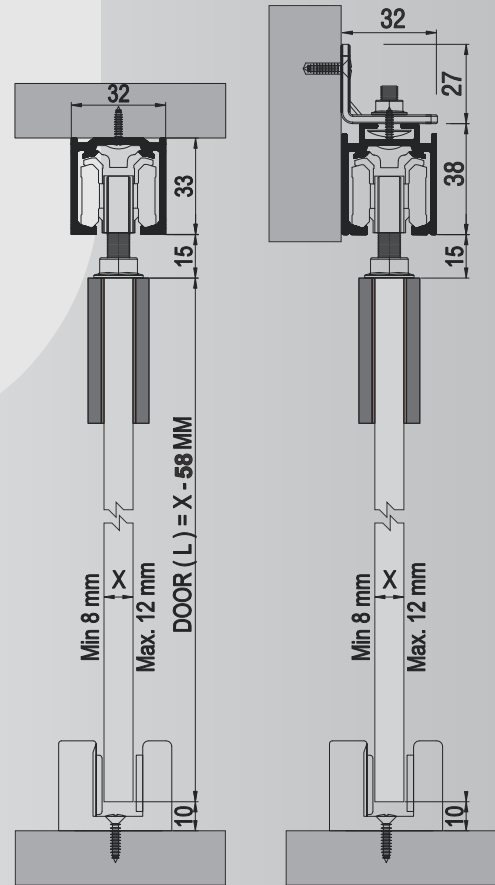
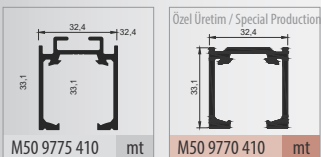


**Bilgi / Information**

- Minimum kapak genişliği 650 mm olmalıdır.
- Min. Door width 650 mm

Yavaşlatıcı Alternatifi / ot Closer Alternative

- Sistem üzerinde çift yöne yavaşlatıcı mevcuttur.
- Technical Detail / Technical soft closing.

Teknik Detay / Technical Detail**1 M23 9030 SFT 1 Takım İçeriği / 1 Set Includes****2 Ray Profilleri / ail Profiles****Uygulama / Application**

WEB



PDF



VIDEO

Kod / Code No	Açıklama / Description	Renk / Colour	Br. / Unit			Profil m. / Profiles	Profil Bağı / Labs	Cmimi
1	M23 9030 SFT 60 Kg Cam Kapi Sistemi / Sliding Glass Door System	Gri / Grey	Tk / Set	12	360	- - -	-	
2	M50 9775 410 Alüminyum Üst Ray / Aluminium Upper Rail	Eloksal / Mat Anodized	mt	-	-	2,0 - 3,0	6	





120 KG AY.ÇİFT YÖNE YAVAŞLATICILI SÜRGÜ CAM KAPI SİSTEMİ • ADJUSTABLE GLASS SLIDING DOOR SYSTEM TWO WAY SOFT CLOSING

M23 9902 SFT



■ Bilgi / Information

- Minimum kapı genişliği 900 mm olmalıdır.
- Min. Door width 900 mm

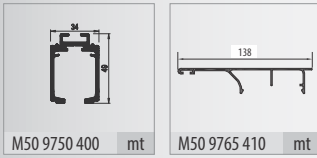
■ Yavaşlatıcı Alternatifi / ot Closer Alternative

- Sistem üzerinde çift yöne yavaşlatıcı mevcuttur.
- The system has two way soft closing.

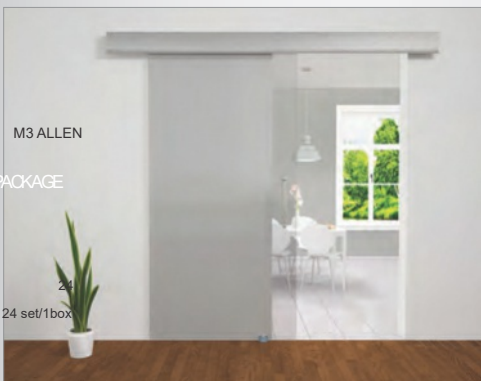
■ M23 9902 SFT 1 Takım İçeriği / 1 Set Includes



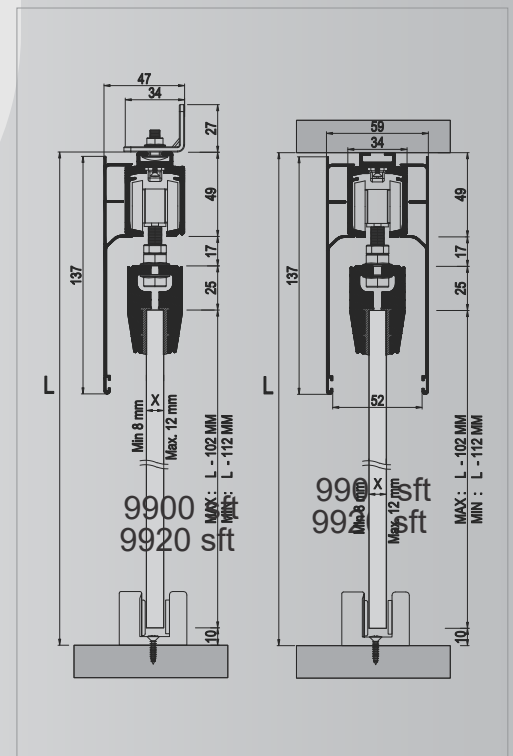
■ Ray Profilleri / Rail Profiles





■ Uygulama / Application



■ Teknik Detay / Technical Detail



PDF

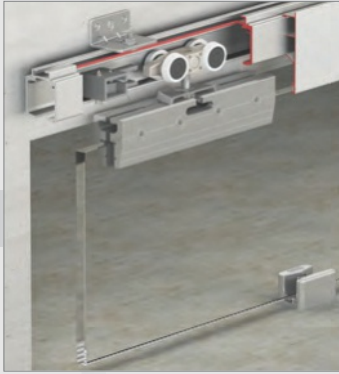
Kod / Code No	Açıklama / Description	Renk / Colour	Br. / Unit			Profil m. / Profiles	Profil Bağı / Labs	Cmimi
1 M23 9920 SFT	Cam Kapı Sistemi / Glass Door System	Gri / Grey	Tk / Set	12	240	- - -	-	
2 M50 9750 400	Alüminyum Üst Ray / Aluminium Upper Rail	Pres / Uncoated	mt	-	-	2,00 - 3,00	2	
3 M50 9765 410	Alüminyum Alın Kapama / Aluminium Cover Front	Eloksal / Mat Anodized	mt	-	-	2,00 - 3,00	2	





M23 9900

120 KG AYARLI SÜRGÜ CAM KAPI SİSTEMİ • ADJUSTABLE SLIDING GLASS DOOR SYSTEM



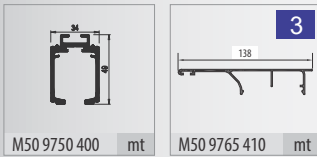
■ Bilgi / Information

■ Yavaşlatıcı Alternatifi / ot Closer Alternative

1 M23 9900 1 Takım İçeriği / 1 Set Includes



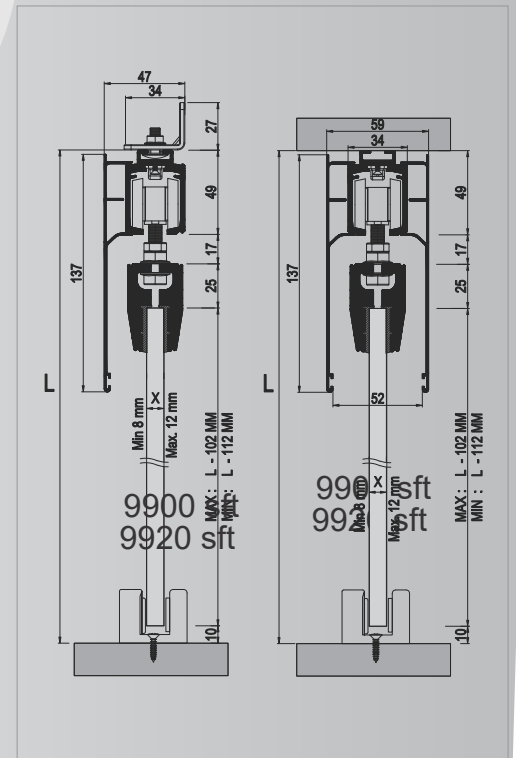
2 Ray Profilleri / ail Prfiles



■ Uygulama / Application



■ Teknik Detay / Technical Detail



PDF

Kod / Code No	Açıklama / Description	Renk / Colour	Br. / Unit	📦	🚚	Profil m. / Profiles	Profil Bağı / Labs	Cmimi
1	M23 9900	Cam Kapi Sistemi / Glass Door System	Gri / Grey	Tk / Set	12	240	-	-
2	M50 9750 400	Alüminyum Üst Ray / Aluminium Upper Rail	Pres / Uncoated	mt	-	-	2,00	3,00
3	M50 9765 410	Alüminyum Alın Kapama / Aluminium Cover Front	Eloksal / Mat Anodized	mt	-	-	2,00	3,00





■ Bilgi / Information

■ Yavaşlatıcı Alternatifi / ot Closer Alternative



1 M20 8800 1 Set İçeriği / 1 Set Includes

 M20 8800 500 2X	 M20 8800 501 2X	 M2 Allen 1X	 M20 8800 504 4X	 M20 8800 505 4X	 M20 8800 550 1X
 M20 8800 502 2X	 M20 8800 503 4X	 M5 Allen 1X	 M20 8800 506 4X	 M20 8800 507 4X	 M20 9700 506 1X

■ SETBOX Paketleme / SETBOX Packaging



PDF

Kod / Code No	Açıklama / Description	Renk / Colour	L (mm)	Br. / Unit			Cmimi
1 M20 8800 200	Üstten Askı Sürme Kapı Sistemi / Top Hanger Sliding System	Siyah / Black	2.000 mm	Set	1	30	





 **GROUP**[®] *the right choice*
www.d-group.pro